

Model: DLL-30 X

Data

Type: Semi-hermetic piston compressors

Producer: Copeland

Series: DL

Model: DLL-30 X

Technical data

Cylinder count:	2
Displacement [m ³ /h]:	18,2
Weight [kg]:	91
Oil charge [dm ³]:	2,3
Max. operating current [A]:	7,3
Locked rotor current [A]:	53
Power supply [V/~/Hz]:	380-420V/3/50Hz

Connections

	<u>milimeters</u>	<u>inches</u>
Suction line:		1 1/8"
Discharge line:		5/8"

Model: DLL-30 X

Capacity

R22

Cooling capacity [kW]

$t_c \setminus t_e$	-50	-45	-40	-35	-30	-25	-20	-15	-10	-5
25	0.74	1.37	2.18	3.19	4.43	5.90	7.63	9.63	11.93	14.54
30	0.55	1.13	1.89	2.84	4.01	5.42	7.07	8.99	11.19	13.70
35	-	0.90	1.61	2.51	3.61	4.94	6.52	8.35	10.47	12.87
40	-	-	1.34	2.18	3.22	4.48	5.98	7.73	-	-
45	-	-	-	1.87	2.85	4.04	5.45	-	-	-
50	-	-	-	-	2.49	3.60	-	-	-	-
55	-	-	-	-	2.14	3.19	-	-	-	-

Power input [kW]

$t_c \setminus t_e$	-50	-45	-40	-35	-30	-25	-20	-15	-10	-5
25	1.20	1.42	1.67	1.92	2.17	2.42	2.64	2.84	3.01	3.12
30	1.18	1.42	1.68	1.96	2.24	2.52	2.80	3.05	3.26	3.44
35	-	1.41	1.69	1.99	2.30	2.62	2.94	3.23	3.51	3.75
40	-	-	1.68	2.01	2.35	2.71	3.07	3.41	-	-
45	-	-	-	2.02	2.40	2.79	3.18	-	-	-
50	-	-	-	-	2.43	2.86	-	-	-	-
55	-	-	-	-	2.46	2.91	-	-	-	-

Model: DLL-30 X

Capacity

R134a

Cooling capacity [kW]

$t_c \setminus t_e$	-20	-15	-10	-5	0	5	10
30	3.57	4.80	6.26	7.98	10.01	12.37	15.10
35	3.18	4.35	5.73	7.38	9.30	11.55	14.16
40	2.80	3.91	5.22	6.78	8.60	10.74	13.22
45	2.43	3.48	4.72	6.19	7.91	9.93	12.28
50	2.09	3.07	4.23	5.60	7.22	9.12	11.34
55	1.76	2.68	3.76	5.03	6.54	8.32	10.40
60	1.45	2.30	3.29	4.48	5.88	7.53	9.47

Power input [kW]

$t_c \setminus t_e$	-20	-15	-10	-5	0	5	10
30	1.77	1.96	2.13	2.28	2.40	2.48	2.52
35	1.82	2.03	2.24	2.43	2.60	2.74	2.84
40	1.85	2.10	2.35	2.58	2.79	2.98	3.14
45	1.88	2.16	2.44	2.71	2.98	3.22	3.44
50	1.91	2.21	2.53	2.84	3.15	3.44	3.72
55	1.92	2.25	2.60	2.95	3.31	3.65	3.98
60	1.93	2.29	2.66	3.06	3.45	3.85	4.24

Model: DLL-30 X

Capacity

R404A/R507

Cooling capacity [kW]

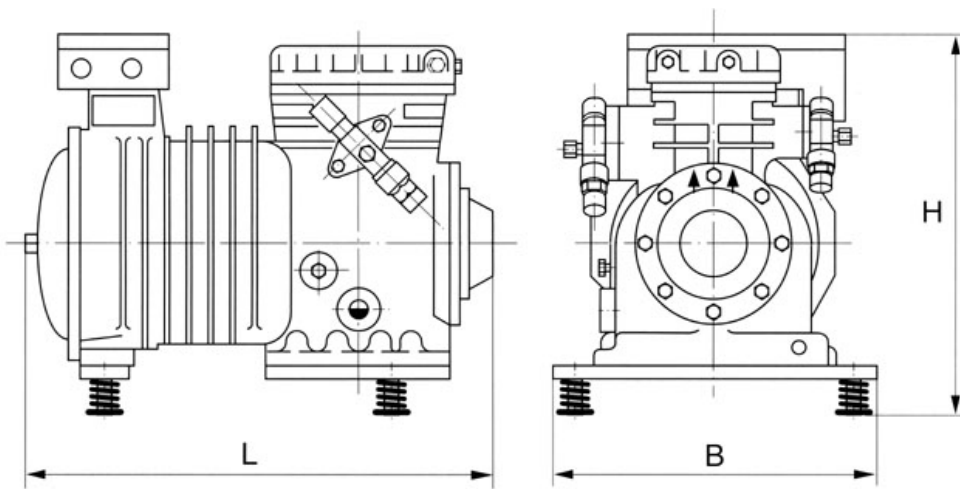
$t_c \setminus t_e$	-50	-45	-40	-35	-30	-25	-20
20	1.41	2.20	3.18	4.35	5.76	7.41	9.33
25	1.12	1.88	2.81	3.93	5.26	6.83	8.65
30	0.83	1.56	2.44	3.50	4.75	6.23	7.95
35	-	1.24	2.07	3.06	4.24	5.63	7.25
40	-	0.93	1.70	2.63	3.73	5.02	6.53
45	-	-	1.34	2.20	3.21	4.41	5.81
50	-	-	1.00	1.78	2.70	3.80	5.09
55	-	-	-	1.37	2.21	3.20	4.37

Power input [kW]

$t_c \setminus t_e$	-50	-45	-40	-35	-30	-25	-20
20	1.21	1.48	1.75	2.03	2.29	2.54	2.77
25	1.13	1.43	1.74	2.05	2.35	2.65	2.93
30	1.03	1.36	1.70	2.05	2.39	2.74	3.07
35	-	1.26	1.64	2.03	2.42	2.81	3.19
40	-	1.15	1.56	1.98	2.42	2.85	3.29
45	-	-	1.45	1.91	2.39	2.88	3.37
50	-	-	1.31	1.82	2.34	2.88	3.42
55	-	-	-	1.70	2.26	2.85	3.45

Model: DLL-30 X

Dimensions



L	470 mm
B	330 mm
H	385 mm

Model: DLL-30 X

Image

